

### CMOS (LVTTL Compatible) HA-A460 Series

#### Description

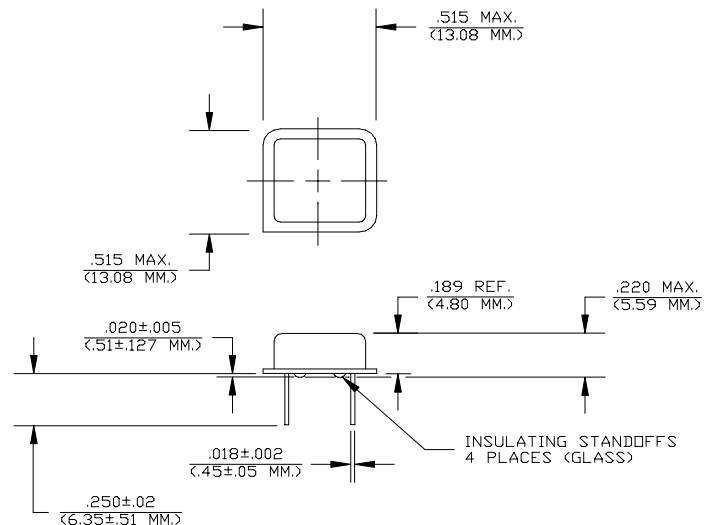
The **HA-A460 Series** of quartz crystal oscillators are resistance welded in an all metal package, offering RFI shielding, and are designed to survive standard wave soldering operations without damage. Insulated standoffs to enhance board cleaning are standard.

#### Features

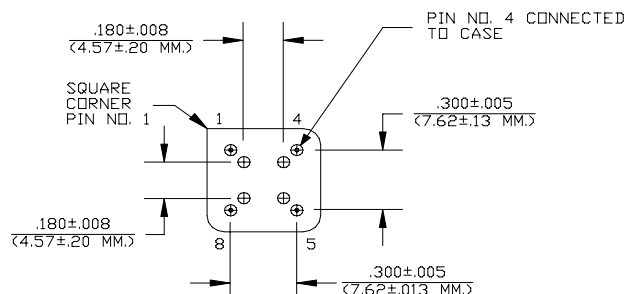
- Wide frequency range—0.5MHz to 30.0MHz
- User specified tolerance available
- Will withstand vapor phase temperatures of 253°C for 4 minutes maximum
- Space-saving alternative to discrete component oscillators
- High shock resistance, to 3000g
- All metal, resistance weld, hermetically sealed package
- 3.3 Volt operation
- Low Jitter
- High Q Crystal actively tuned oscillator circuit
- Low power consumption
- Power supply decoupling internal
- No internal PLL avoids cascading PLL problems
- High frequencies due to proprietary design
- Gold plated leads - Solder dipped leads available upon request
- CMOS and LVTTL output levels
- RoHS Compliant, Lead Free Construction (unless solder dipped leads are supplied)
- COTS/Dual use

#### Electrical Connection

Pin	Connection
1	N.C.
4	Grd & Case
5	Output
8	V <sub>DD</sub>



Dimensions are in inches and MM.



**HA-A460 Series** Continued  
CMOS (LVTTTL Compatible)

**Rev. F**

## Operating Conditions and Output Characteristics

### Electrical Characteristics

Parameter	Symbol	Conditions	Min	Typical	Max
Frequency	-----	-----	0.5MHz	-----	30.0MHz
Duty Cycle	-----	@ $V_{DD}/2$	45/55%	-----	55/45%
Logic 0	$V_{OL}$	@ 600 $\mu$ A	-----	-----	0.2V
Logic 1	$V_{OH}$	@ 600 $\mu$ A	$V_{DD}-0.2V$	-----	-----
Rise & Fall Time	tr,tf	10-90% $V_O$	-----	-----	3 ns
Jitter, RMS <sup>(2)</sup>	-----	-----	-----	-----	8.0 psec
Frequency Stability <sup>(1)</sup>	dF/F	Overall conditions including: voltage, calibration, temp., 10 yr aging, shock, vibration	-100ppm	-----	+100ppm

### General Characteristics

Parameter	Symbol	Conditions	Min	Typical	Max
Supply Voltage	$V_{DD}$	-----	3.135V	3.3V	3.465V
Supply Current	$I_{DD}$	No Load	0.0 mA	-----	40 mA
Output current	$I_O$	-----	0.0 mA	-----	$\pm 16.0$ mA
Operating temperature	$T_A$	-----	0°C	-----	70°C
Storage temperature	$T_S$	-----	-55°C	-----	125°C
Power Dissipation	$P_D$	-----	-----	-----	138 mW
Lead temperature	$T_L$	Soldering, 10 sec.	-----	-----	300°C
Load	-----	-----	-----	-----	15pf
Start-up Time	$t_s$	<20MHz	-----	-----	2 ms
		20MHz or greater	-----	-----	10 ms

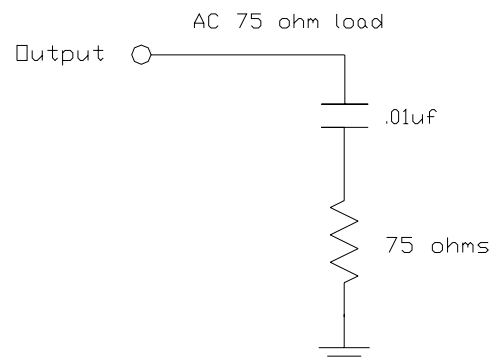
### Environmental and Mechanical Characteristics

Mechanical Shock	Per MIL-STD-202, Method 213, Condition E
Thermal Shock	Per MIL-STD-883, Method 1011, Condition A
Vibration	0.060" double amplitude 10 Hz to 55 Hz, 35g's 55Hz to 2000 Hz
Soldering Condition	300°C for 10 seconds
Hermetic Seal	Leak rate less than $1 \times 10^{-8}$ atm.cc/sec of helium

#### Footnotes:

- Standard frequency stability ( $\pm 20, \pm 25, \pm 50$ ppm & others available)
- Jitter performance is frequency dependent. Please contact factory for full characterization. RMS jitter bandwidth of 12kHz to 20MHz.

#### Test Load:



Creating a Part Number	
<b>HA - A46X - FREQ</b>	
<b>Package Code</b>	<b>Tolerance/Performance</b>
HA Ledged 4 pin (8 pin)	0 $\pm 100$ ppm 0-70°C
SA Ledged 4 pin (8 pin) SMD	1 $\pm 50$ ppm 0-70°C
Gull Wing	7 $\pm 25$ ppm 0-70°C
<b>Input Voltage</b>	9 Customer Specific
Code Specification	A $\pm 20$ ppm 0-70°C
A 3.3V	B $\pm 50$ ppm -40 to +85°C
5V	C $\pm 100$ ppm -40 to +85°C