

### Differential Positive ECL (DPECL) SK-A29C0 Series

#### Description

The **SK-A29C0 Series** of quartz crystal oscillators provide DPECL Fast Edge compatible signals. This device is to operate using positive voltage and uses multiple ground pins for improved signal integrity. This device is intended to operate on positive voltage for PECL applications.

#### Features

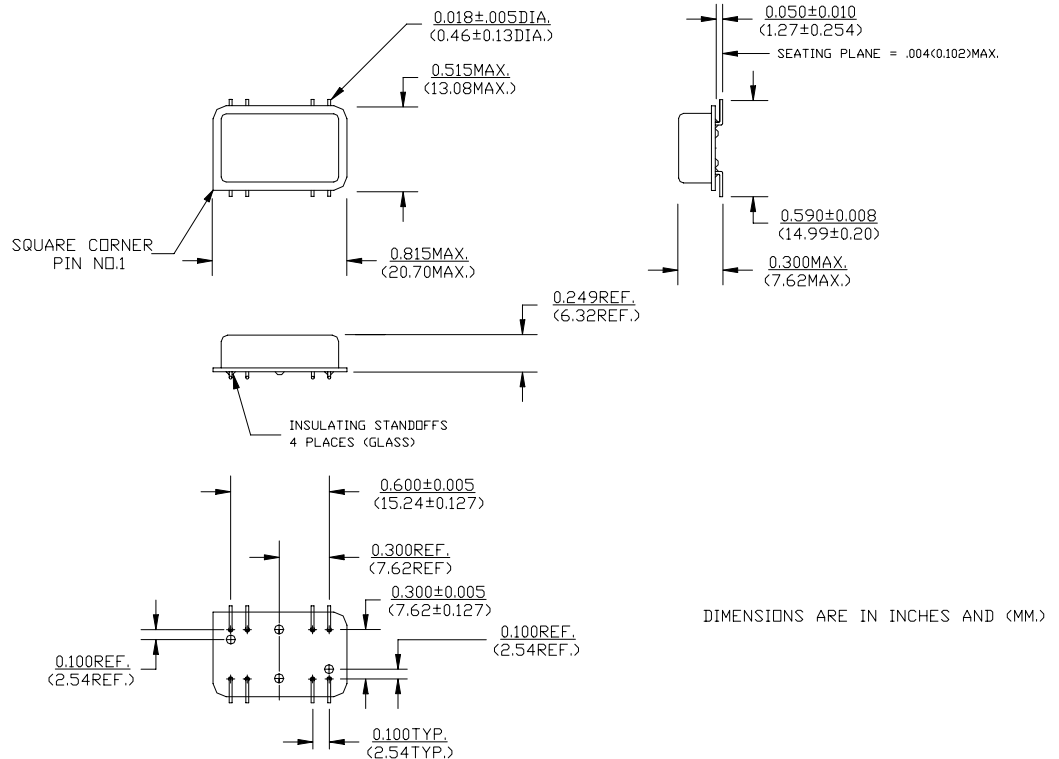
- Wide frequency range - 60.0MHz to 350.0MHz
- User specified tolerance available
- Case at electrical ground
- All metal, resistance weld, hermetically sealed package
- High shock resistance, to 1500g
- COTS/Dual use
- Low Jitter - Wavecrest jitter characterization available
- High Reliability - NEL HALT/HASS qualified for crystal oscillator start-up conditions
- High Q Crystal actively tuned oscillator circuit
- Power supply decoupling internal
- High frequencies due to proprietary design
- RoHS compliant, Lead-free construction

#### Electrical Connection

Pin Connection

1	V <sub>CC</sub>
2	V <sub>EE</sub> Case
6	V <sub>EE</sub> Case
7	Output
8	/Output
9	V <sub>EE</sub> Case
13	V <sub>EE</sub> Case
14	Enable/Disable

All other pins are  
No Connect



## SK-A29C0 Series Continued Differential Positive ECL (DPECL)

Rev. C

### Operating Conditions and Output Characteristics

#### Electrical Characteristics

Parameter	Symbol	Conditions	Min	Typical	Max
Frequency	-----	-----	60.0MHz	-----	350.0MHz
Duty Cycle	-----	@ 50% points	48/52%	-----	52/48%
Logic 0 <sup>(1)</sup>	V <sub>OL</sub>	-----	V <sub>CC</sub> -1.810V	-----	V <sub>CC</sub> -1.620V
Logic 1 <sup>(1)</sup>	V <sub>OH</sub>	-----	V <sub>CC</sub> -1.025V	-----	V <sub>CC</sub> -0.880V
Rise & Fall Time	tr,tf	20-80%V <sub>O</sub> with 50 ohm load to V <sub>CC</sub> -2V	-----	350 psec	600 psec
Jitter, Cycle to Cycle	-----	-----	-----	-----	50 psec
Enable Voltage <sup>(2)</sup>	-----	with V <sub>EE</sub> =0V	2.0V	-----	-----
Disable Voltage	-----	with V <sub>EE</sub> =0V	-----	-----	0.8V
Frequency Stability <sup>(3)</sup>	dF/F	Overall conditions including: voltage, calibration, temp., 10 yr aging, shock, vibration	-100ppm	-----	+100ppm

#### General Characteristics

Parameter	Symbol	Conditions	Min	Typical	Max
Supply Voltage	V <sub>CC</sub>	3.3V±5%	3.135V	3.3V	3.465V
Supply Current	I <sub>CC</sub>	50 ohm termination To 2.00V below V <sub>CC</sub>	0.0 mA	-----	50 mA
Output current	I <sub>O</sub>	Low level Output Current	0.0 mA	-----	±50.0 mA
Operating temperature	T <sub>A</sub>	-----	0°C	-----	55°C
Storage temperature	T <sub>S</sub>	-----	-55°C	-----	125°C
Input: Logic High (ECL) - Disables V <sub>EE</sub> or Open - Enables					
Load		50 Ohm to V <sub>CC</sub> -2V or Thevenin Equivalent, Bias Required			
Start-up time	t <sub>S</sub>	-----	-----	2 ms	10 ms

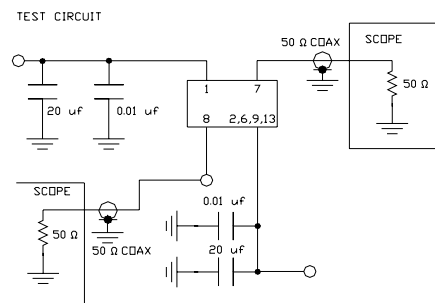
#### Environmental and Mechanical Characteristics

Mechanical Shock	Per MIL-STD-202, Method 213, Condition E
Thermal Shock	Per MIL-STD-883, Method 1011, Condition A
Vibration	0.060" double amplitude 10 Hz to 55 Hz, 35g's 55Hz to 2000 Hz
Hermetic Seal	Leak rate less than 1 x 10 <sup>-8</sup> atm.cc/sec of helium

#### Footnotes:

- 1) V<sub>OL</sub>, V<sub>OH</sub>, referenced to ground
- 2) Open to Enable pin also enables the output.
- 3) Standard frequency stability (other available)

Creating a Part Number	
<b>SK - A29CX - FREQ</b>	
<b>Package Code</b>	<b>Tolerance/Performance</b>
HK Leaded 8 pin (14 pin)	0 ±100ppm 0-70°C
SK 8 pin (14 pin) SMD Gull Wing	1 ±50ppm 0-70°C
	7 ±25ppm 0-70°C
<b>Input Voltage</b>	9 Customer Specific
Code Specification	A ±20ppm 0-70°C
A 3.3V	B ±50ppm -40 to +85°C
B 2.5V	C ±100ppm -40 to +85°C



TEST CIRCUIT USES A SPLIT SUPPLY OF +2V AND -1.3V FOR EASE OF TESTING.

SK-A29C0 Series Continued

Max Reflow Profile

