

O-LU25H-XXYZXX-X-X-X-X

Precision Ultra Low Phase Noise OCXO in 20x20 mm Package

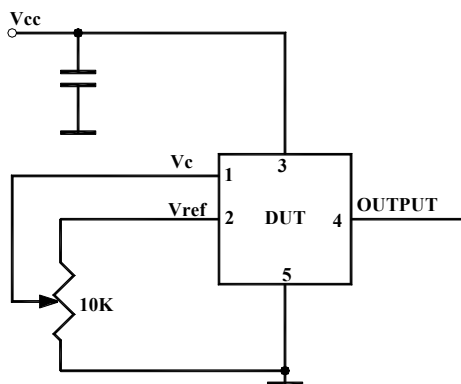
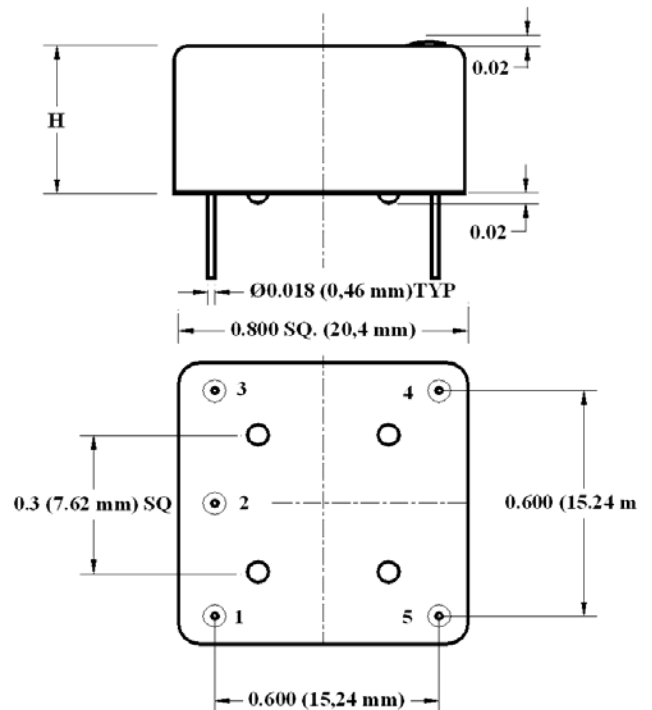
Product Data Sheet

Features

- SC-cut crystal
- High Stability
- Low to Very Low Power consumption (0.3 W)
- Low Aging
- Ultra Low Phase Noise Option:
 Standard(L) -137dBc/Hz at 10Hz;
 -168dBc/Hz on the floor
 Premium(P) -145dBc/Hz at 10Hz;
 -172dBc/Hz on the floor
 Ultimate(U) -115 dBc/Hz at 1 Hz
 -146dBc/Hz at 10Hz;
 -172dBc/Hz on the floor
 Extraordinary(E) -120 dBc/Hz at 1 Hz
 -148 dBc/Hz at 10 Hz
 -172 dBc/Hz on the floor
- Sine Wave or HCMOS/TTL output

Applications

- Instrumentation
- Battery Powered Equipment
- Tele/Data Communications
- GPS



Height Options

Code	Height, H
4	0.4" (10.2 mm)
5	0.5" (12.7 mm)

Parameter	Symb	Condition	Min	Typ	Max	Unit	Note	
Absolute Maximum Ratings								
Input Break Down Voltage	V _{cc}	5 V supply	-0.5		5.5	V		
Storage temper.	T _s		-50		90	°C		
Control Voltage	V _c		-1		5.5	V	Slope option "P"	
			-1		11		Slope option "L"	
Electrical								
Frequency	F		8	10.000	13	MHz		
Frequency stability	ΔF/F	vs. Temp.		±20		ppb	See chart below	
		vs. Supply		0.2	0.3	ppb/10%V _{cc}		
Aging		per day per year, first year second year		5E-10 5E-8 3E-8			after 30 days of continuous operation	
Allan Deviation		0.1s		5E-13			Premium version, Option "P"	
		1s		2E-12				
		10s		5E-12				
SSB Phase Noise (achieved after 10 minutes warm-up)	S _p	1Hz				-108	Standard version, option "L"	
		10 Hz				-137		
		100 Hz				-155		
		1 KHz				-160		
		10 KHz				-166		
		100 KHz				-168		
		1Hz				-112	Premium version, option "P"	
		10 Hz				-145		
		100 Hz				-155		
		1 KHz				-162		
		10 KHz				-169		
		100 KHz				-172		
		1Hz			-115	-114	Ultimate version, option "U" 2*	
		10 Hz				-146		
		100 Hz				-156		
		1 KHz				-163		
		10 KHz				-169		
		100 KHz				-172		
		1Hz				-120	Extraordinary version, option E, available with slope option L	
		10 Hz				-148		
100 Hz				-160				
1 KHz				-168				
10 KHz				-170				
100 KHz				-172				
Retrace		After 30 minutes			±10	ppb	24 Hours off 3*	
G-sensitivity		worst direction			±1.0	ppb/G		
Input Voltage	V _{cc}		4.75	5.0	5.25	V		
Power consumption, Still air 4*	P	steady state, 25°C,		0.6	0.7	W	Grade "N" Grade "A" Grade "X"	
		Operating temp range to 70°C		0.45	0.55			
		start-up @ -30°C		0.3 2.0	0.4 2.5			
Spectral Purity		Subharmonics		none		dBc		
		Spurious			-80			
		Harmonics		-35	-30			
Load		10KOhm//15pF (HCMOS/TTL), AC-coupled 50 Ohm (Sine-wave)					Output Code T Output Code S	
Warm-up time	τ	to 0.1ppm accuracy		3	5	minutes		
Output Waveform		HCMOS/TTL compatible or Sinewave						

All parameters for 10 MHz



Output Power			+10	+13		dBm	Output Code S
Logic 1 (CMOS)	Voh		3.3			V	Output Code T
Logic 0 (CMOS)	Vol				0.1	V	Output Code T
Control voltage	Vc		0		4.5	V	Slope option "P"
			0		10.0		Slope option "L"
Input impedance	Zin	At Vc pin	10			KOhm	
Modulation bandwidth	Fm				1,000	Hz	
Reference Voltage	Vref			4.5		V	
Output Impedance		At Vref pin		100		Ohm	
Pull range		from nominal F	±0.4	±0.6		ppm	
Deviation slope		Monotonic, positive		1.0/Vref		ppm/V	Slope option "P"
		Monotonic, positive		0.12			Slope option "L"
Setability	Vc0	@25°C, Fnom. Internal bias is optional, specify on PO 2.25 V for "P", 4.5 V for "L"	2.25 ± 0.5 5 ± 0.5			V	Slope option "P" 3* Slope option "L"

Notes:

- *. For highest operating temperature higher than 70°C the power consumption will be higher (about 20% for 85°C). Values listed are for test in still air environment, the values will go up while testing in the temperature chamber.
- 2*. This specification is preliminary. It is recommended to specify Slope option "L" for Ultimate Phase noise performance. Recommended test equipment – Symmetricom 5120A-01 Phase Noise and Allan Deviation Test Set (be aware of limitations on the floor, especially if the DUT frequency is not 10.000 MHz), Noise XT DCNTS, or Holtzworth HA7000B series. "Clean" analog power supply i.e. HP E3610A or equivalent. It's assumed that phase noise test is performed under static conditions (no vibration), in still air, and care is taken for minimizing EMI.
- 3*. Longer storage time, especially at low temperatures, may affect both retrace and setability parameters. It may require few days on power for re-stabilization.
- 4*. The power consumption is affected by the operating temperature range (the higher the highest temperature – the higher the power consumption), and by the height of the cover (the shorter the cover – the higher the power). The values in the table are for high operating temperature at 70°C, and height option "5".

Environmental and Mechanical

Operating temp. range	0°C to 70°C Standard, Other options – see chart below
Mechanical Shock	Per MIL-STD-202, 30G, 11ms
Vibration	Per MIL-STD-202, 5G to 2000 Hz
Soldering Conditions	260°C for 10s Max leads only

Electrical Connections

Pin Out	Pin #1-Vc ; Pin#2 – Vref; Pin #3 – Vcc; Pin #4- Output ; Pin #5- GND;
----------------	---



Creating a Part Number

O - **L** **U25** **H** **X** **X** **YZ** **XX** - **X** - **X** - **X** - **X** **FREQ**

OCXO
Low Power
Package Code
5 pin 20x20, ultra low noise

Height code per dwg

Supply Voltage

Code	Specification
0	5V ± 5%

Output

Code	Specification
T	CMOS/TTL
S	Sinewave

Temperature Stability

Code	Specification
17	±1x10 ⁻⁷
58	±5x10 ⁻⁸
28	±2x10 ⁻⁸
18	±1x10 ⁻⁸
YZ	±Yx10 ^{-Z}

Temperature Range

Code	In 5°C steps 6*
First letter	Lowest temperature from A = -40°C
Second letter	Highest temperature to Z = 85°C
Examples	
IS	0°C to 50°C
GU	-10°C to 60°C
EW	-20°C to 70°C

Environmental

Code	Specification
L	Contains a level of lead that is in excess of RoHS directive and is not designed for reflow
R	RoHS compliant, not designed for reflow

Power Consumption 4*

Grade	P at RT, TYP, W
N	0.6
A	0.45
X	0.3

Phase Noise (See Table)

Code	Specification
L	Standard
P	Premium
U	Ultimate
E	Extraordinary

Deviation slope

Code	Specification
P	Positive, 0 to Vref
L	Positive, 0 to 10 V

Not all combinations are available. Consult Factory.

6*Temperature Code Table

Letter	Temp °C	Letter	Temp °C	Letter	Temp °C	Letter	Temp °C	Letter	Temp °C	Letter	Temp °C
A	-40	F	-15	K	10	P	35	U	60	Z	85
B	-35	G	-10	L	15	Q	40	V	65		
C	-30	H	-5	M	20	R	45	W	70		
D	-25	I	0	N	25	S	50	X	75		
E	-20	J	5	O	30	T	55	Y	80		

