

# Phase-Locked Ultra Low Phase Noise Multioutput Frequency Reference in 19" Rack Mountable Appliance 1U Form Factor

## Product Data Sheet

### Features

- Locks to either 10 MHz reference or 1 PPS input
- Ultra-Low Phase Noise (ULPN) on all Outputs
- 10 MHz, 100 MHz, and 1 GHz outputs
- Excellent holdover In the Absence of REF IN
- 10 MHz and 100 MHz internal SC-cut OCXO

### Applications

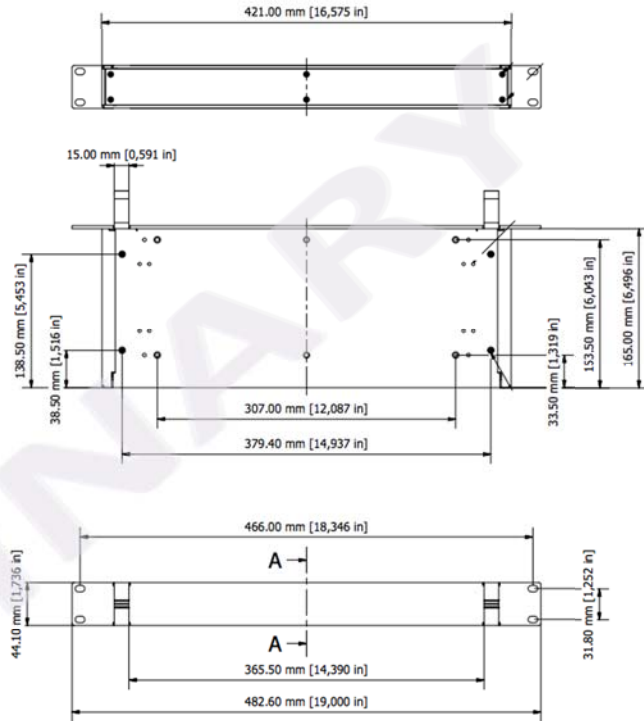
- 5G device testing
- Significantly improves Phase Noise of incoming Reference signal
- COTS/Dual use

### Inputs

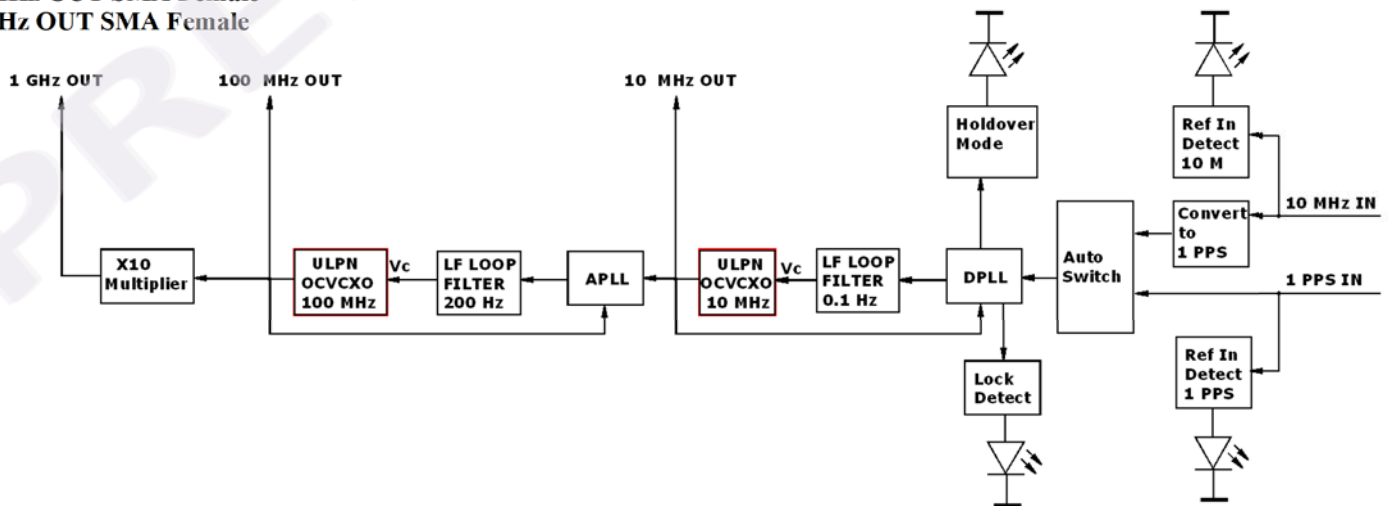
10 MHz IN SMA Female  
1 PPS IN SMA Female

### Outputs

10 MHz OUT SMA Female  
100 MHz OUT SMA Female  
1.0 GHz OUT SMA Female



Mechanical Dimensions



**FREQUENCY  
CONTROLS, INC.**

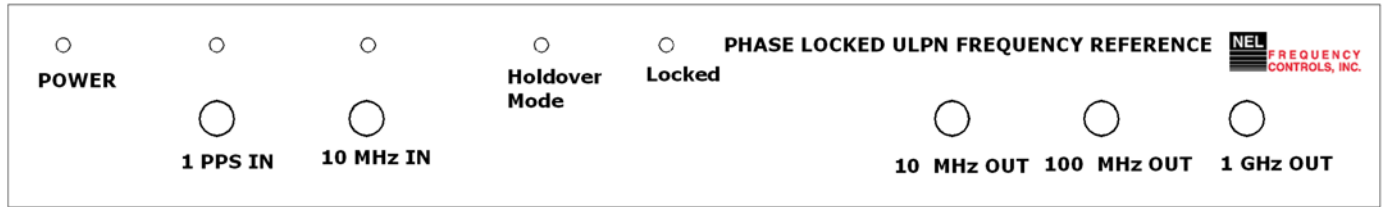
Beloit Street, P.O. Box 457, Burlington, WI 53105-0457 U.S.A. Phone 262/763-3591 FAX 262/763-2881

Email: [nelsales@nelfc.com](mailto:nelsales@nelfc.com) www.nelfc.com

# Ultra Low Phase Noise Phase-Locked Frequency Reference

Data Sheet 1826A

## Front Panel



## Specifications:

Parameter	Symb	Condition	Min	Typ	Max	Unit	Note
<b>Absolute Maximum Ratings</b>							
Power supply	Vp		90		260	V AC	
Operating Temp.	To		10		45	°C	
Storage temper.	Ts		0		70	°C	
<b>Electrical</b>							
Input	F10	10 MHz input		10.000		MHz	
	Fpps	1 PPS input		1		Hz	
10 MHz in	F10	CMOS	2			V pk-pk	Green LED
		Sine Wave	0		15	dBm	
1PPS in	1 PPS	TTL		2.5		V pk-pk	Green LED, priority if both present
		Pulse Width		1		us	
Frequency Capture Range (APR)	$\Delta F/F$	Over All	$\pm 100$			ppb	Includes variation vs. temperature, load, aging 10 years
Allan Deviation		.01s to 1s		5E-12			
Frequency stability	$\Delta F/F$	Locked	Equal to incoming signal				
Holdover	$\tau$	8 hours		20		us	
Recommended MAX Input SSB Phase Noise	$\xi(\Delta f)$	10 Hz			-90	dBc/Hz	10 MHz reference
		100 Hz			-120		
		1 KHz			-130		
		10 KHz			-140		
		100 KHz			-140		
Output SSB Phase Noise Improvement Compared to Input Phase Noise adjusted to 10 MHz	$\xi(\Delta f)$	10 Hz		40		dBc/Hz	Cannot improve beyond listed below Output Phase Noise
		100 Hz		50			
		1 KHz		50			
		10 KHz		50			
		100 KHz		50			
Output Frequencies	F10			10.000		MHz	SMA
	F100			100.00			SMA
	F1000			1000.0			SMA
SSB Phase Noise (achieved after 10 minutes warm-up) Noise floor	$\xi(\Delta f)$	1Hz		-115		dBc/Hz	10 MHz output
		10 Hz		-145			
		100 Hz		-157			
		1 KHz		-162			



**FREQUENCY CONTROLS, INC.**

Beloit Street, P.O. Box 457, Burlington, WI 53105-0457 U.S.A. Phone 262/763-3591 FAX 262/763-2881

Email: [nelsales@nelfc.com](mailto:nelsales@nelfc.com) www.nelfc.com

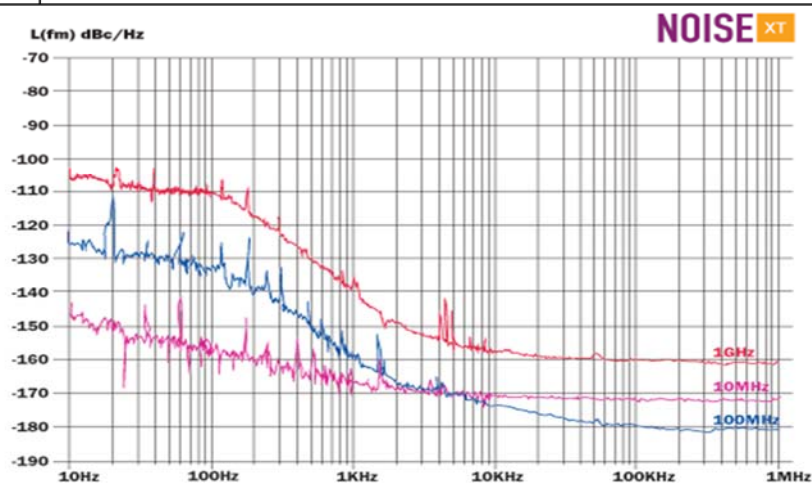
# Ultra Low Phase Noise Phase-Locked Frequency Reference

Data Sheet 1826A

		10 KHz 100 KHz		-170 -172			
		10 Hz 100 Hz 1 KHz 10 KHz 100 KHz		-125 -132 -163 -177 -180		dBc/Hz	100 MHz output
		10 Hz 100 Hz 1 KHz 10 KHz 100 KHz		-105 -112 -142 -158 -160		dBc/Hz	1,000 MHz output
<b>Power Requirements</b>	P	IEC320 on the back	100 to 250 V AC 50/60 Hz			V AC	
<b>Spectral Purity</b>		Subharmonics Spurious Harmonics		-50 -35	-40 -80 -30	dBc	At 1,000 MHz output Either output
<b>Load</b>	Internally AC-coupled 50 Ohm						All Outputs
<b>Output Waveform</b>	Sinewave						
<b>Output Power</b>			+10 +12 +10	+13 +15 +13		dBm	10 MHz 100 MHz 1,000 MHz
<b>Spectral Purity</b>		Subharmonics Spurious Harmonics		-70 -35	-50 -80 -30	dBc	10 MHz and multiples
<b>Load</b>	Internally AC coupled 50 Ohm (Sinewave) 10K Ohm//15pf (CMOS/TTL)						
<b>Warm-up time</b>	$\tau$	to lock on 100 ppb input		3	5	minutes	
<b>Lock Time after warm-up</b>				1		minute	
<b>Lock Detect</b>	Green LED						
<b>Input Detect (either)</b>	Green LED						
<b>Holdover Mode</b>	Green LED						

### Environmental and Mechanical

<b>Operating temp. range</b>	+10°C to +45°C
------------------------------	----------------



**FREQUENCY  
CONTROLS, INC.**

Beloit Street, P.O. Box 457, Burlington, WI 53105-0457 U.S.A. Phone 262/763-3591 FAX 262/763-2881

Email: [nelsales@nelfc.com](mailto:nelsales@nelfc.com) www.nelfc.com