

# NF6 Series

SMD Crystal

## Size, mm

6.0 x 3.5 x 1.2

## Frequency Stability

±30 PPM

## Temperature Range

-10°C to 70°C

## Frequency Range

8.0-80.0 MHz

## Features

- Meets NEL requirements for product reliability
- User specified tolerance available
- Leadless ceramic package
- Suitable for reflow soldering
- Wide frequency range 8.0 MHz to 80.0 MHz
- Automatic mounting
- Shock resistance: drop test of 3 times on 2 mm stainless plate from 75 cm height
- Glass sealed

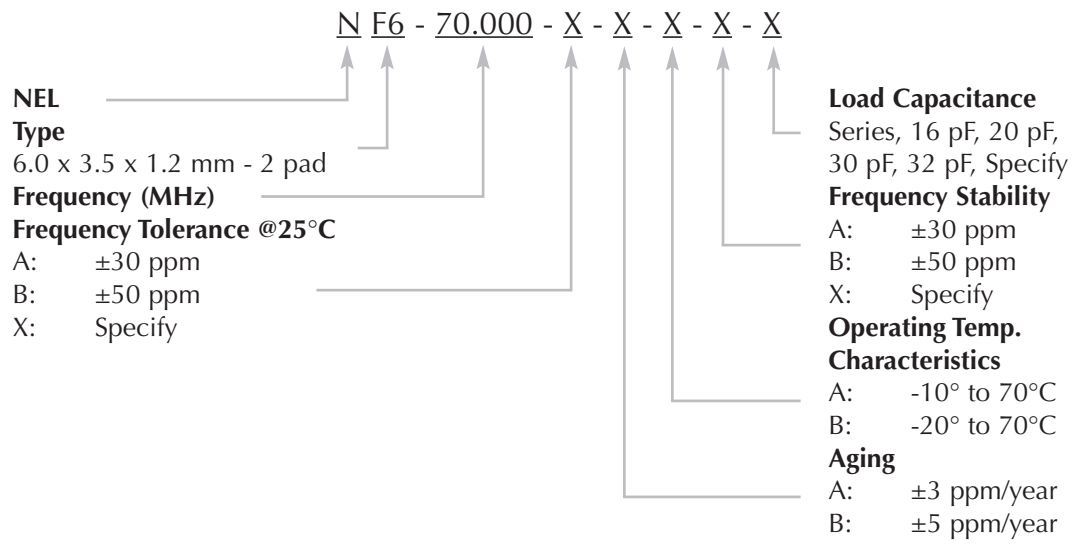


For the most up to date specifications on each NEL product, log on to our website—[www.nelfc.com](http://www.nelfc.com)

# SMD Crystal NF6 Series

Frequency Range: 8.0 MHz to 80.0 MHz

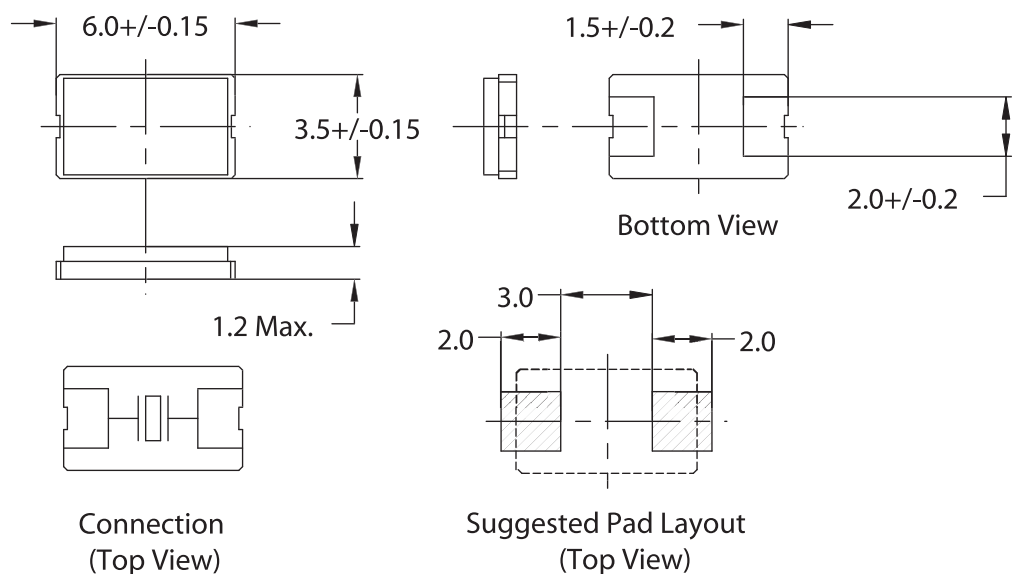
## Creating a Part Number



## Electrical Specifications

Frequency Range	8.000 MHz to 80.000 MHz	
Frequency Tolerance (at 25°C)	±30 ppm, ±50 ppm, or specify	
Frequency Stability Over	-10°C to 70°C ±30 ppm	
Operating Temp. Characteristics	-20°C to 70°C ±50 ppm or specify	
Storage Temperature	-55°C to 125°C	
Operating Temperature Range	-40°C to 85°C	
Shunt Capacitance	5.0 pF Max	
Drive Level (Typical)	10 µW	
Load Capacitance (C <sub>L</sub> )	Series, 16 pF, 20 pF, 30 pF, 32pF or specify	
Aging @ 25°C 1st year (Max)	±3 ppm, ±5 ppm/year	
Equivalent Series Resistance	Frequency Range	E.S.R. (Ω) Max
Mode: Fundamental/AT	8.000 to 10.000 MHz	70
	10.000 to 30.000 MHz	40
	30.000 to 45.000 MHz	60
	45.000 to 80.000 MHz	50
Mode: 3rd Overtone/AT		

## Drawing Specifications



Dimensions shown in millimeters.