

NFB Series

SMD Crystal

Size, mm

11.8 x 5.5 x 1.8

Frequency Stability

±30 PPM

Temperature Range

-10°C to 60°C

Frequency Range

3.5-30.0 MHz

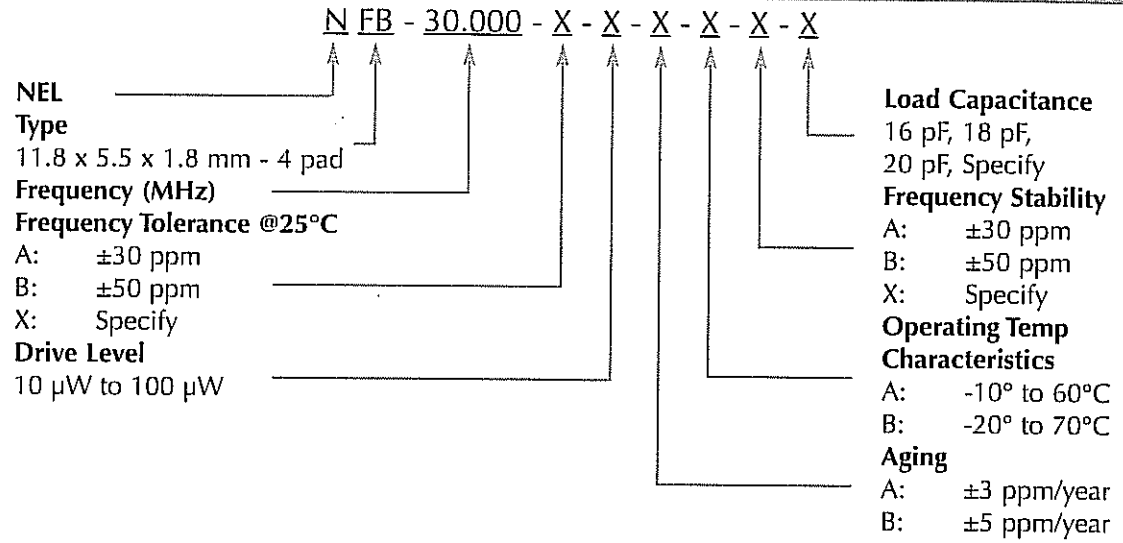
Features

- Meets NEL requirements for product reliability
- User specified tolerance available
- Leadless ceramic package
- Suitable for reflow soldering
- Wide frequency range 3.5 MHz to 30.0 MHz
- Compact slim size (thickness 1.8 mm)
- Automatic mounting
- Shock resistance: drop test of 3 times on 2 mm stainless plate from 75 cm height
- Glass Sealed

SMD Crystal NFB Series

Frequency Range: 3.5 MHz to 30.0 MHz

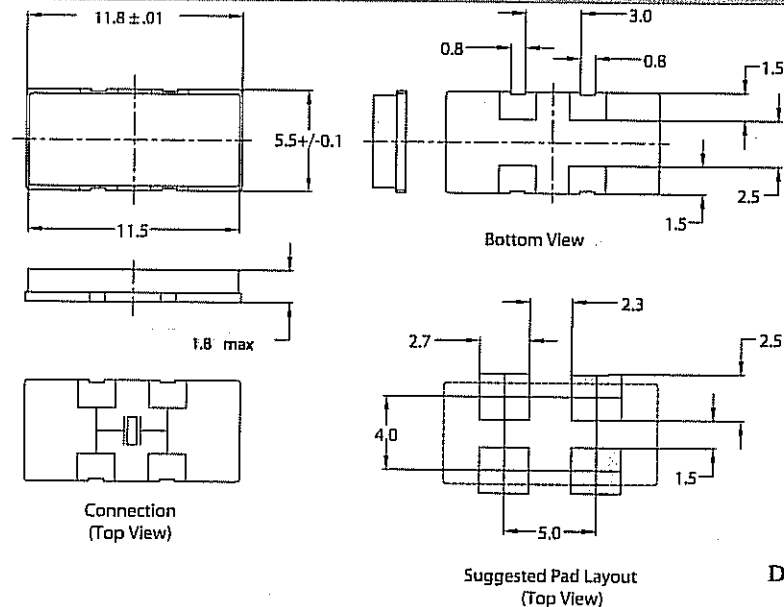
Creating a Part Number



Electrical Specifications

Frequency Range	3.500 MHz to 30.000 MHz	
Frequency Tolerance (at 25°C)	±30 ppm, ±50 ppm, or specify	
Frequency Stability Over	±30 ppm, ±50 ppm or specify	
Operating Temp. Characteristics	-10°C to 60°C / -20°C to 70°C	
Storage Temperature	-55°C to 125°C	
Operating Temperature Range	-40°C to 85°C	
Shunt Capacitance	7.0 pF Max	
Drive Level (Typical)	10 µW to 100 µW	
Load Capacitance (C _L)	16 pF, 18 pF, 20 pF or specify	
Aging @ 25°C 1st year (Max)	±3 ppm, ±5 ppm/year	
Equivalent Series Resistance	Frequency Range	E.S.R. (Ω) Max
Mode: Fundamental/AT	3.500 to 4.000 MHz	200
	4.000 to 6.000 MHz	150
	6.000 to 10.000 MHz	100
	10.000 to 14.000 MHz	80
	14.000 to 30.000 MHz	50

Drawing Specifications



Dimensions shown
in millimeters.



For the most up to date specifications on each NEL product, log on to our website—www.nelc.com