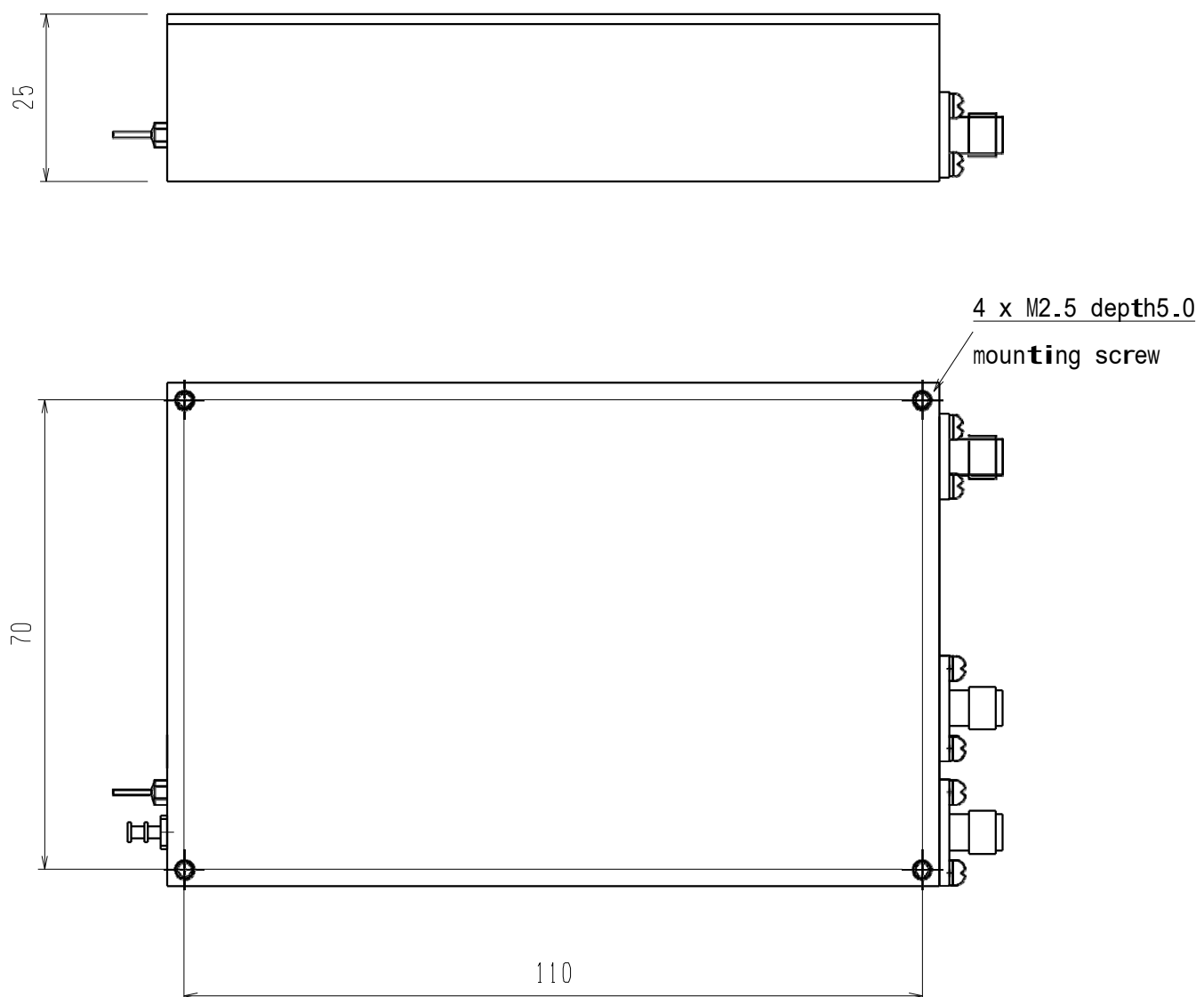
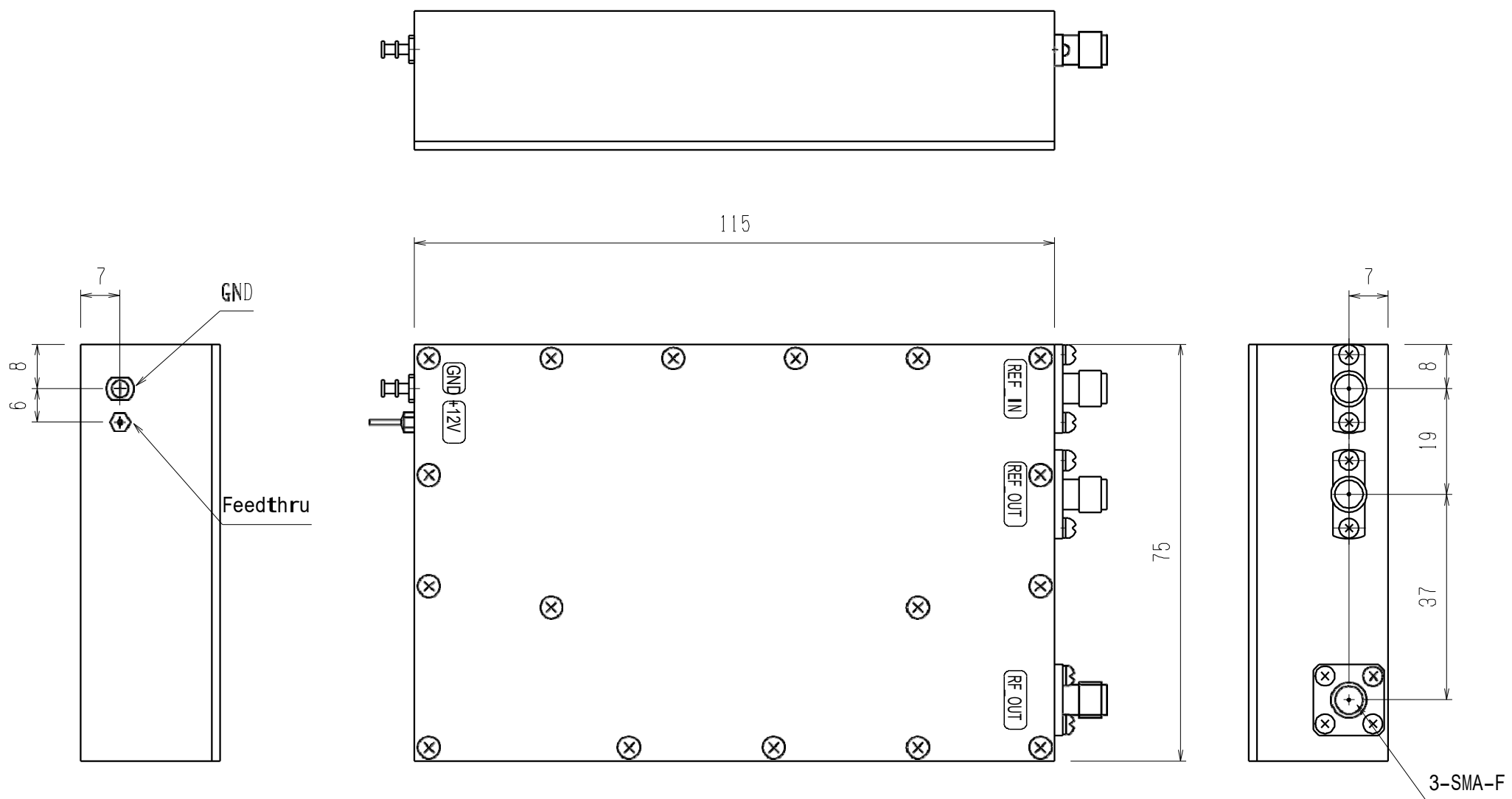




Specification for 6.000Hz Band Signal Sources

Model : N-DCN-SS602-000I

Item	Specification	Note
1.0 Electrical Performance		
1.1 RF Output Signal		
** 1) Frequency Range	6.000 GHz	RL=50 ohms
2) RF Output Power	+10dBm Min.	
3) Phase Noise Level		
Offset 10 Hz	≤ -67dBc/Hz	
100 Hz	≤ -98dBc/Hz	
** 1 KHz	≤ -122dBc/Hz	
10 KHz	≤ -140dBc/Hz	
100 KHz	≤ -142dBc/Hz	
1 MHz	≤ -142dBc/Hz	
4) Spurious		
Non-Harmonics	≤ -65 dBc	
Harmonics	≤ -35 dBc	
1.2 Internal Reference		
1) 1.000GHz ULPN OCXO	≤ ±0.1 ppm	After 30 days
2) Temperature Stability	≤ ±5 ppb	
3) Aging (Day)	≤ ±300 ppb	
4) Aging (1 st year)	≤ ±2 ppm	
5) Aging (10 years)		
1.3 External Reference		
1) Input Frequency	10.000 MHz Sine Wave	Input Impedance=50 ohms
2) Input Level	0dBm typical	
3) Phase Noise Level	C/N ≤ -150dBc/Hz @100Hz	
4) Lock Range	≥ ±1ppm	
1.4 Reference Output		
1) Output Frequency	10.000MHz Sine Wave	RL=50 ohms
2) Output Level	+6dBm±2dB,	
3) Phase Noise Level	C/N ≥ -150dB/Hz @100Hz	
5) FrequencyStability	Same as Ext. Ref. IN	
1.5 DC Power	+12V±5% 600mA Max	
2.0 Temp. Range		
2.1 Operating	-20~+70deg. C	
2.2 Storage	-40~+70deg. C	
3.0 Package		
** 3.1 Package Size	115(L) × 75(W) × 25(T) mm	See attached
	Tolerance : ±0.1mm	
	RF_OUT : SMA(F)	
3.2 Connector	REF_IN, REF_OUT : SMA(F)	
	DC Power : Feedthrough	



UNIT : mm **RoHS**

6.000GHz Signal Source
 MX007
 NEL Frequency Controls Inc.