

NFC Series

SMD Crystal

Size, mm

4.0 x 2.5 x 1.2

Frequency Stability

±10 PPM

Temperature Range

-10°C to 60°C

Frequency Range

13.0-50.0 MHz

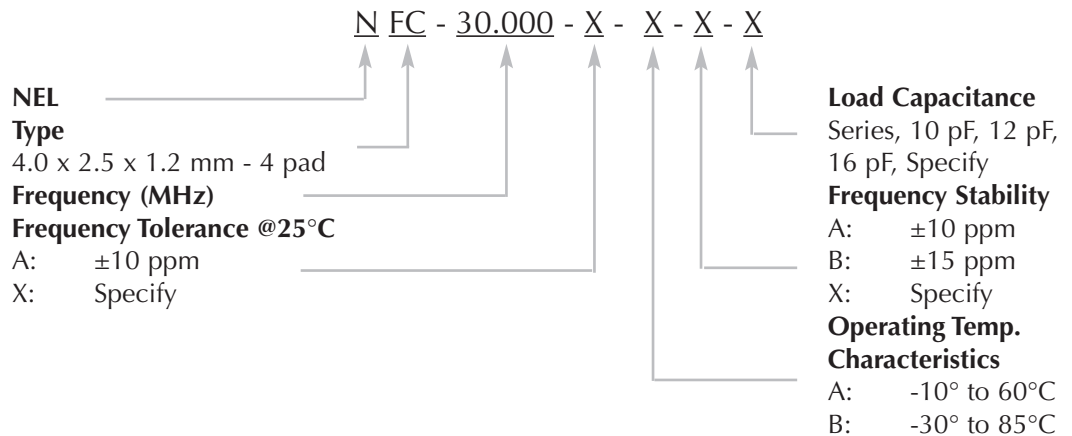
Features

- Meets NEL requirements for product reliability
- User specified tolerance available
- Leadless ceramic package
- Suitable for reflow soldering
- Frequency range 13.0 MHz to 50.0 MHz
- Automatic mounting
- Shock resistance: drop test of 3 times on 2 mm stainless plate from 75 cm height
- Glass Sealed

SMD Crystal NFC Series

Frequency Range: 13.0 MHz to 50.0 MHz

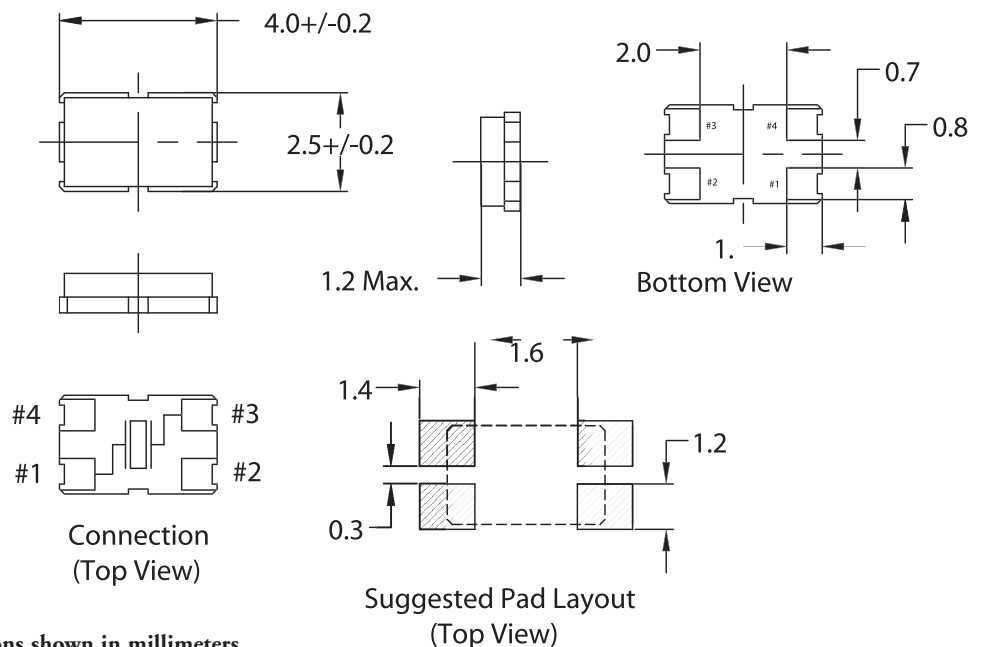
Creating a Part Number



Electrical Specifications

Frequency Range	13.000 MHz to 50.000 MHz
Frequency Tolerance (at 25°C)	±10 ppm, or specify
Frequency Stability Over	-10°C to 60°C ±10 ppm
Operating Temp. Characteristics	-30°C to 85°C ±15 ppm or specify
Storage Temperature	-40°C to 90°C
Operating Temperature Range	-40°C to 85°C
Shunt Capacitance	5.0 pF Max
Drive Level (Typical)	10 µW
Load Capacitance (C _L)	Series, 10 pF, 12 pF, 16 pF or specify
Aging @ 25°C 1st year (Max)	±3 ppm/year
Equivalent Series Resistance	Frequency Range E.S.R. (Ω) Max
Mode: Fundamental/AT	13.000 to 50.000 MHz 60

Drawing Specifications



Dimensions shown in millimeters.



For the most up to date specifications on each NEL product, log on to our website—www.nelfc.com