

NFX Series

SMD Crystal

Size, mm

6.0 x 3.5 x 1.1

Frequency Stability

±10 PPM

Temperature Range

-20°C to 70°C

Frequency Range

8.0-80.0 MHz

Features

- Meets NEL requirements for product reliability
- User specified tolerance available
- Leadless ceramic package
- Suitable for reflow soldering
- Wide frequency range 8.0 MHz to 80.0 MHz
- Automatic mounting
- Shock resistance: drop test of 3 times on 2 mm stainless plate from 75 cm height
- Seam sealed

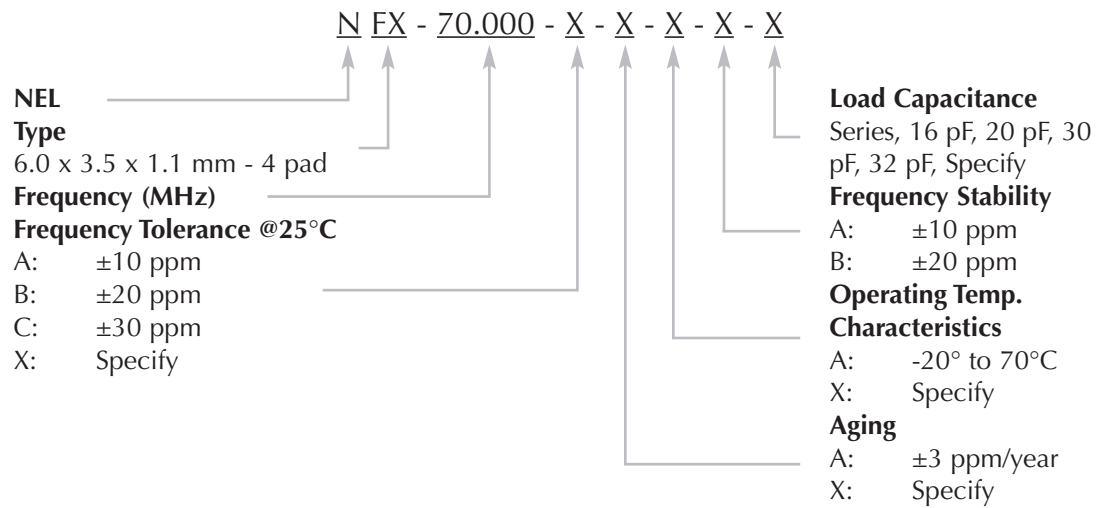


For the most up to date specifications on each NEL product, log on to our website—www.nelfc.com

SMD Crystal NFX Series

Frequency Range: 8.0 MHz to 80.0 MHz

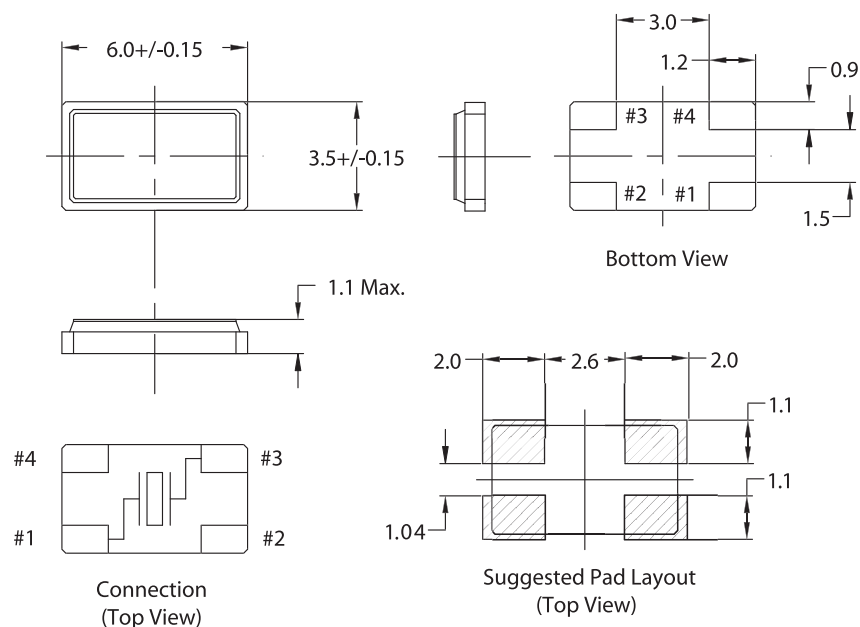
Creating a Part Number



Electrical Specifications

Frequency Range	8.000 MHz to 80.000 MHz
Frequency Tolerance (at 25°C)	±10 ppm, ±20 ppm, ±30 ppm, or specify
Frequency Stability Over Operating Temp. Characteristics	±10 ppm, ±20 ppm
Storage Temperature	-55°C to 125°C
Shunt Capacitance	3.5 pF Max
Drive Level (Typical)	100 µW
Load Capacitance (C _L)	Series, 16 pF, 20 pF, 30 pF, 32 pF or specify
Aging @ 25°C 1st year (Max)	±3 ppm, or specify
Equivalent Series Resistance	Frequency Range E.S.R. (Ω) Max
Mode: Fundamental/AT	8.000 to 12.000 MHz 70
	12.000 to 30.000 MHz 40
Mode: 3rd Overtone/AT	30.000 to 44.999 MHz 60
	45.000 to 80.000 MHz 50

Drawing Specifications



Dimensions shown in millimeters.