

NGX Series

SMD Crystal

Size, mm

7.0 x 5.0 x 1.2

Frequency Stability

±10 PPM

Temperature Range

-10°C to 70°C

Frequency Range

8.0-80.0 MHz

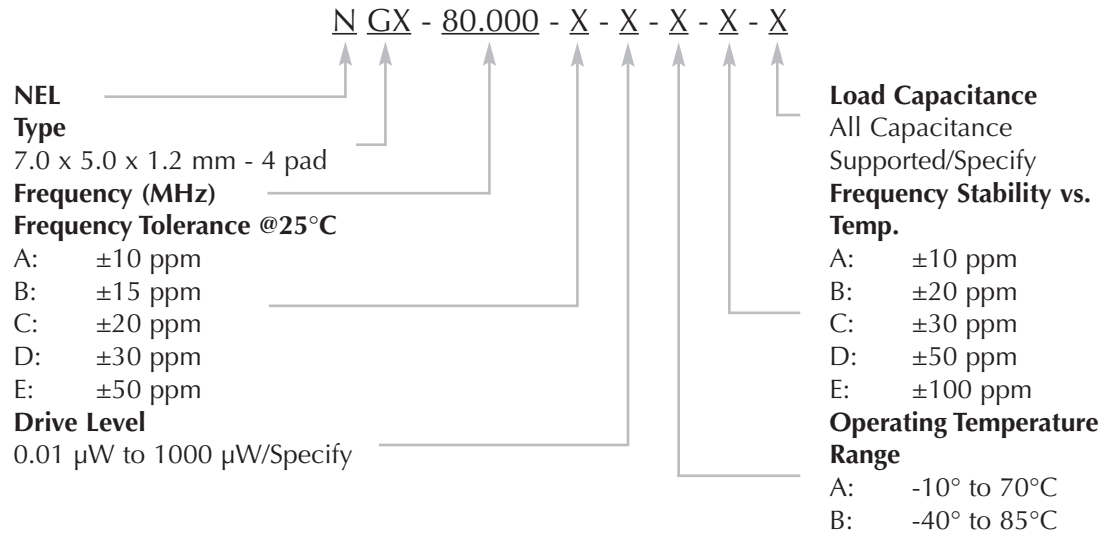
Features

- Meets NEL requirements for product reliability
- User specified tolerance available
- Suitable for reflow soldering
- Frequency range 8.0 MHz to 80.0 MHz
- Leadless package
- Small overall size
- Seam Sealed

SMD Crystal NGX Series

Frequency Range: 8.0 MHz to 80.0 MHz

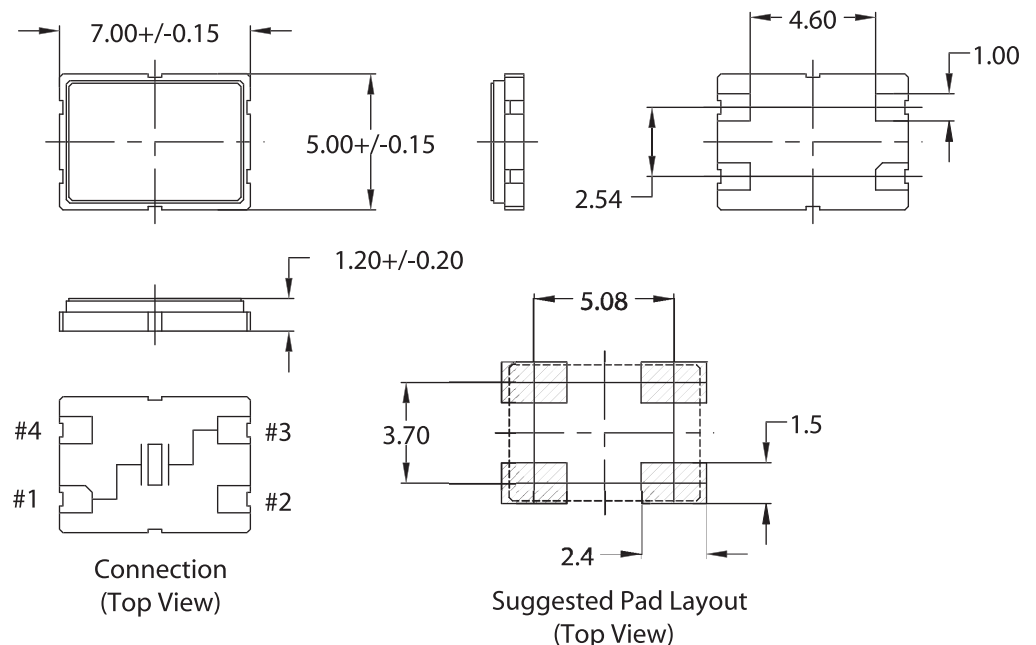
Creating a Part Number



Electrical Specifications

Frequency Range	8.000 MHz to 80.000 MHz	
Frequency Tolerance (at 25°C)	±10, ±15, ±20, ±30, ±50 ppm	
Frequency Stability vs Temp.	±10, ±20, ±30, ±50, ±100 ppm	
Operating Temperature Range	-10°C to 70°C/-40°C to 85°C	
Shunt Capacitance	7.0 pF Max	
Drive Level (Typical)	0.01 to 1000 μW	
Load Capacitance (C _L)	All Capacitance Supported	
Aging @ 25°C	±5 ppm/year Max	
Equivalent Series Resistance	Frequency Range	E.S.R. (Ω) Max
Mode: Fundamental	8.000 to 11.990 MHz	70
	12.000 to 20.000 MHz	50
	20.100 to 35.000 MHz	40
Mode: 3rd Overtone	30.000 to 80.000 MHz	80

Drawing Specifications



For the most up to date specifications on each NEL product, log on to our website—www.nelfc.com